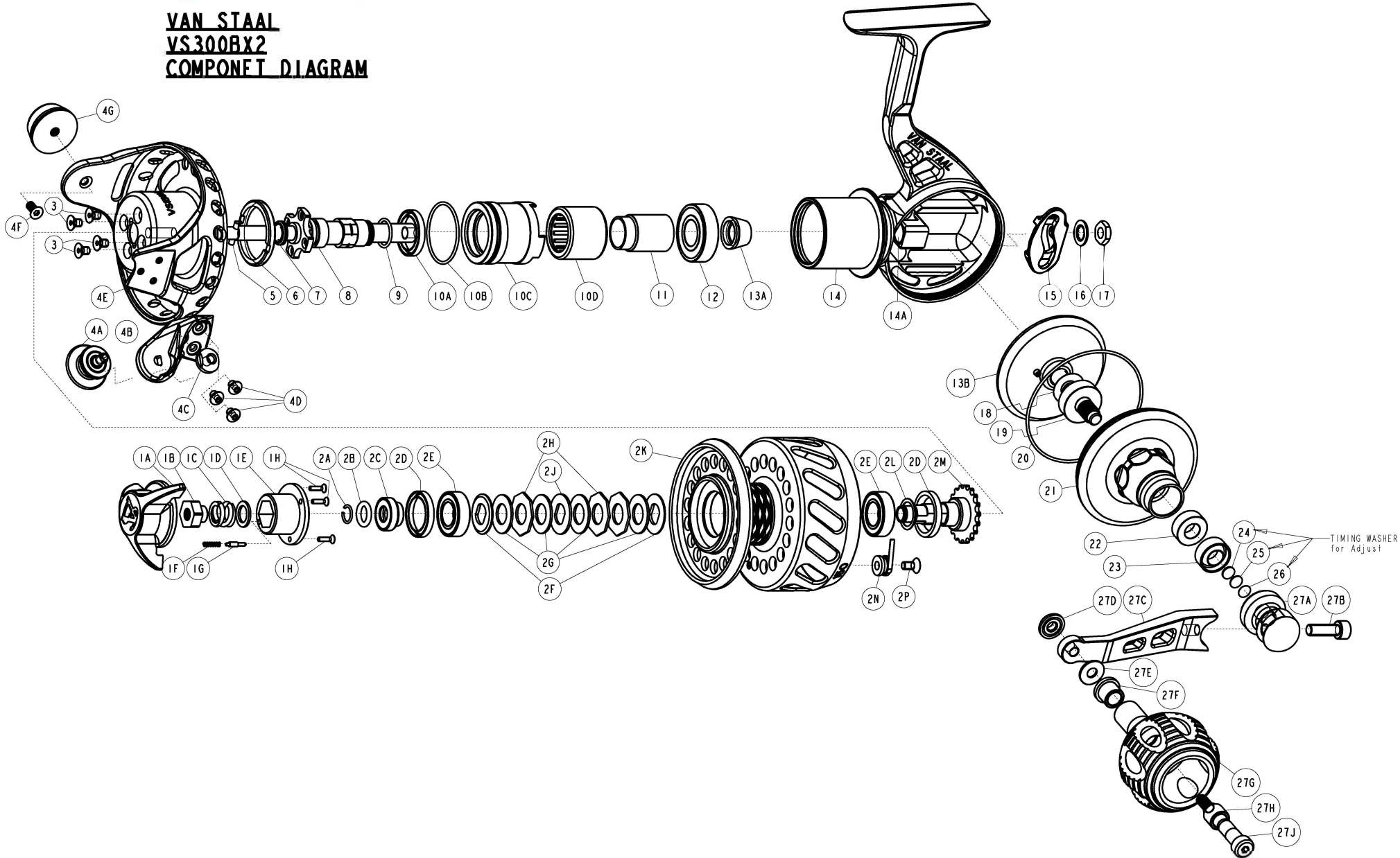




VAN STAAL
VS300BX2
COMPONENT DIAGRAM



Van Staal VS300BX2 Part List

Key No.	Description	Part No.	Q'TY	Key No.	Description	Part No.	Q'TY
		VS300BX2				VS300BX2	
1	Drag Knob Assembly (Kit)	VBQ332-11	1	9	Spool Shaft Guide O-Ring	ORR19	1
1A	Drag Knob	VBQ032-11	1	10	Clutch Housing Assembly	VSG4038-01	1
1B	Drag Nut	VBQ066-01	1	10A	Clutch Housing Cup Seal	OSPR1	1
1C	Drag Spring	VBQ043-01	1	10B	Clutch Housing O-Ring	ORR21	1
1D	Drag Knob Washer	N/A	1	10C	Clutch Housing	VSG038-01	1
1E	Drag Knob Cap	VBQ071-01	1	10D	One Way Clutch	VS2090	1
1F	Drag Click Spring	SH049-01	1	11	One Way Clutch Sleeve	VS2014	1
1G	Drag Click Pawl	VBQ149-01	1	12	Ball Bearing	BGRS3-B	1
1H	Drag Knob Cap Screw	HX107-04	3	13	Gear Kit	VSM4312-01	1
2	Spool Assembly (Kit)	VSM321-01	1	13A	Pinion Gear	(VSM012-01)	1
2A	Retainer Ring	SR3041	1	13B	Main Gear Assembly	(VSM312-01)	1
2B	Spool Retainer O-Ring	ORR3	1	14	Body Assembly	VSM301-01	1
2C	Spool Retainer	VS2024-B	1	14A	Body Bushing	VSM110-01	1
2D	Cup Seal	OSPR3	2	15	Travers Guide (O/S Slider)	VS2017	1
2E	Ball Bearing	BGRS3-B	2	16	Internal Teeth Lock Washer	WSLCIT1	1
2F	Drag "D" Washer - Chamfered	SR3036	2	17	Spool Shaft Hex Nut	NTHX1	1
2G	Drag Disc	SR3038	4	18	Shim Washer - 0.002	SR2075-01	1
2H	Drag Key Washer - Octagon	SR3039	2 (3)		Shim Washer - 0.005	SR2075-02	1
2J	Drag "D" Washer	SR3037	1		Shim Washer - 0.010	SR2075-03	1
2K	Spool	VSM021-01	1	19	Drive Gear Ball Bearing	BGR02-B	1
2L	Compensation Washer	N/A	1	20	Body Cover O-Ring	ORR2	1
2M	Spool Hub	VS2040-B	1	21	Body Cover	VSM023-01	1
2N	Clicker Sub Assembly	SR1058-1	1	22	Body Cover Ball Bearing	BGRS13	1
2P	Flat Socket Head Screw	SCFH2	1	23	Body Cup Seal	OSPR12-02	1
3	Rotor Screw	SCFH3	4	24	Timing Washer 0.5	VS2035-03	1
4	Rotor Assembly (Kit)	VSM4009-01	1	25	Timing Washer 0.3	VS2035-02	1
4A	Line Roller Assembly	SR3020-1	1	26	Timing Washer 0.1	VS2035-01	1
4B	Line Roller Bracket	VSD007-01	1	27	Handle Assembly (Kit)	VSG318-01	1
4C	Line Roller Spindle Nut	SR3028P	1	27A	Handle Hub (Stand)	SR3014B	1
4D	Line Roller Bracket Screw	SCBH1	3	27B	Handle Screw	SCSHC9	1
4E	Rotor	VSM009-01	1	27C	Handle Arm	VSG018-01	1
4F	Counter Weight Screw	VR057-02	1	27D	Handle Knob Bolt Nut	SR3031P	1
4G	Counter Weight	VSD017-01	1	27E	Handle Washer	SR2078	1
5	Spool Shaft Assembly	VSM315-01	1	27F	Handle Knob Bushing - Flanged	SR3030	1
6	Lock Ring	VSG122-01	1	27G	Power Grip Handle Knob	VS1208-01	1
7	Quad Seal	ORQ2	1	27H	Handle Knob Bushing - Plain	SR3029	1
8	Spool Shaft Guide	VSM075-01	1	27J	Handle Knob Spindle	SR2020	1